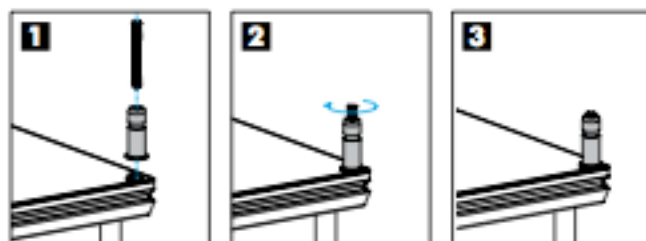


EASY RAIL



Spigot attachment: 30 kg rail on top line only

Spigot
SM-RAIL-ATT-01



EASY RAIL 100 kg/m

The heavy-duty version of the easy rail can resist a horizontal loading of 100 till 200 kg/m. This railing type can be used in all circumstances, whether your stage has public access or not, the railing is in compliance with the applicable regulations.

The railing can be easily mounted on top of the decks by simply bolting a 40 mm spigot to the pre-drilled hole, hereby using the special railing adaptor.

The railing adaptor has an extra M12 hole drilled in front of the spigot hole. An extra spigot can be bolted in place here, to provide a connection for a corner rail. This type of rail can only be used in combination with top line decks.

Railing lengths:

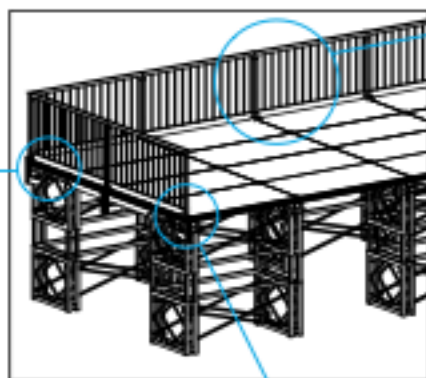
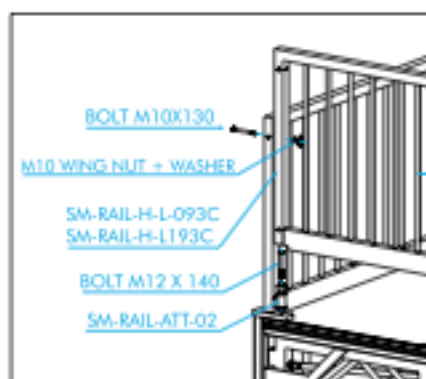
SM-RAIL-H-L100, length 1000 mm.
SM-RAIL-H-L200, length 2000 mm.

Corner pieces:

SM-RAIL-H-L093C, length 930 mm.
SM-RAIL-H-L193C, length 1930 mm.

Accessories:

SM-RAIL-ATT-02,
Spigot 40mm for top line deck.
SM-RAIL-ATT-03,
Adaptor for 100kg/m rail for top line deck.

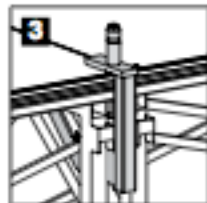
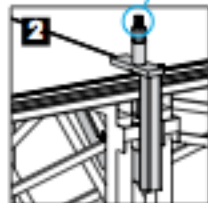
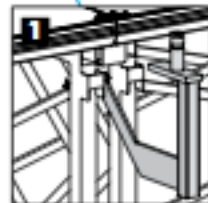


Spigot attachment:
100 kg rail on top
line only



SM-RAIL-ATT-02

SM-RAIL-ATT-03



M12 X 180